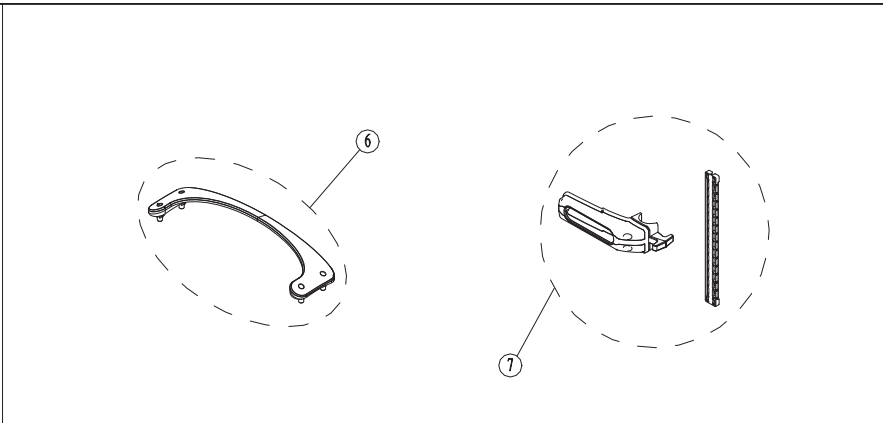
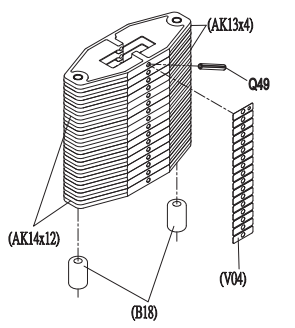
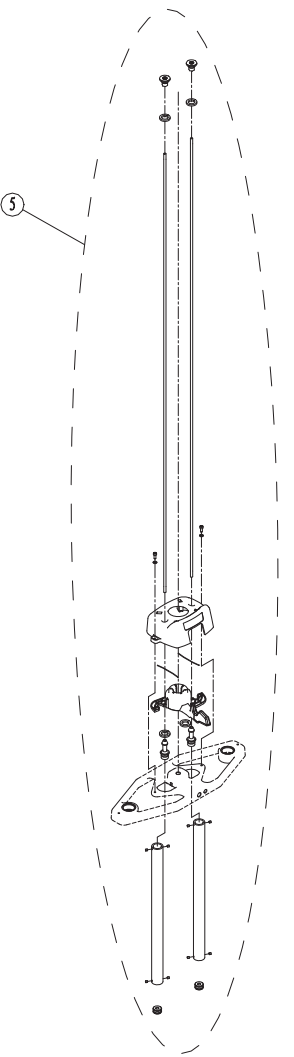


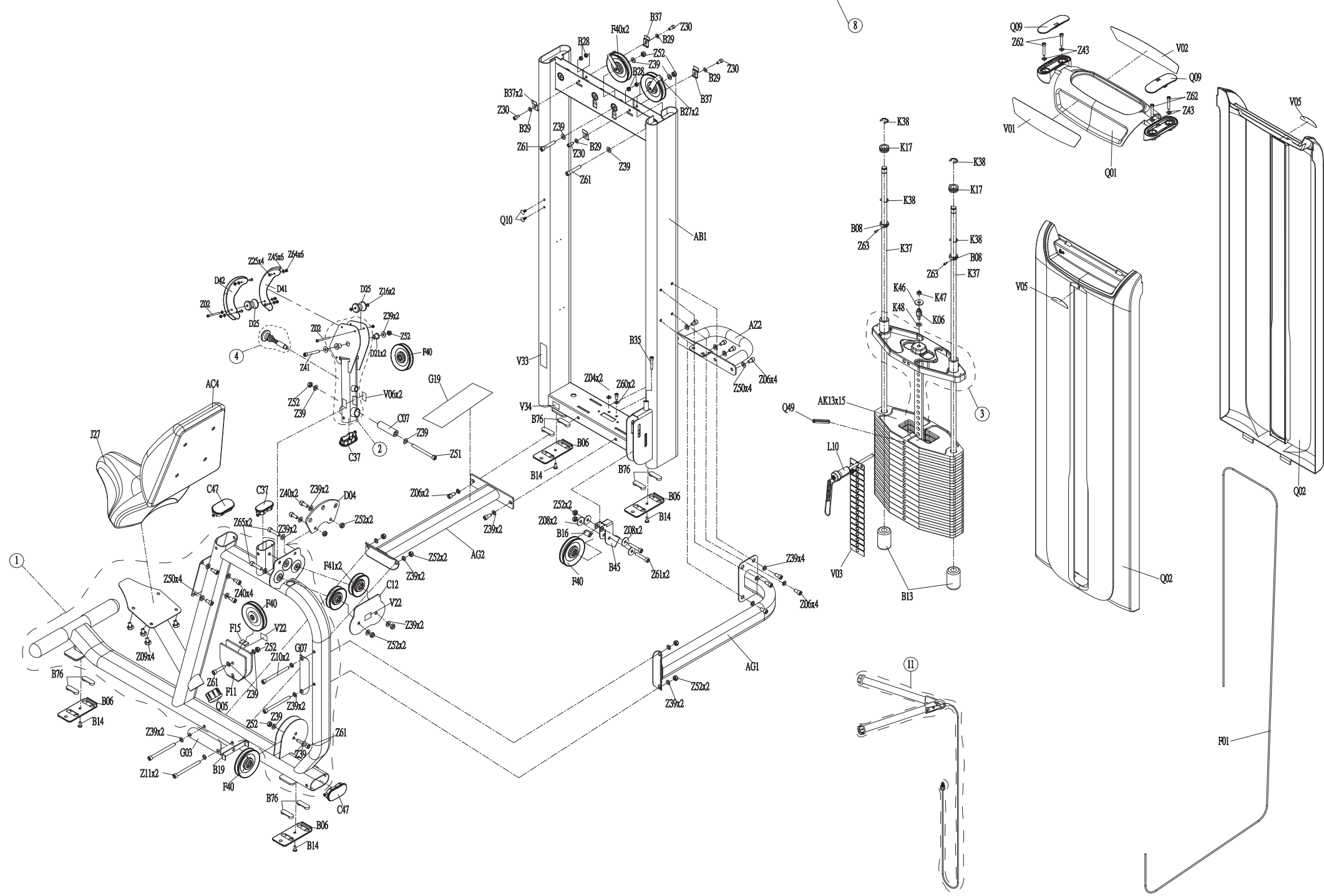
DRAWING NO	PVSGM68-KM		
PART NAME	Explosive Diagram		
PART NO	MGM0404-00	REV	A
APPROVE	SuYehua	DATE	2021.01.20



Increment Weight

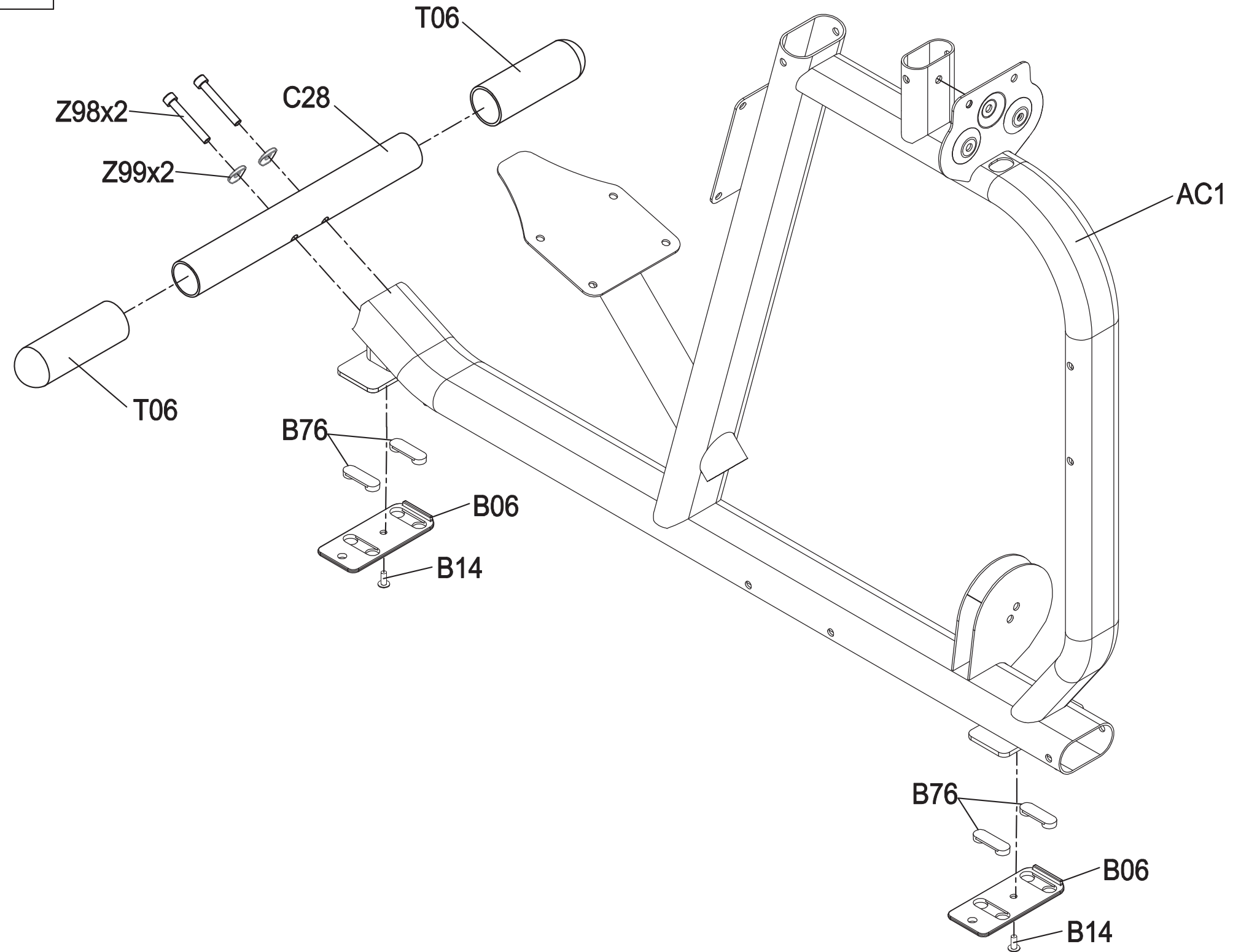


230Lbs 選擇片組
230Lbs weight stack



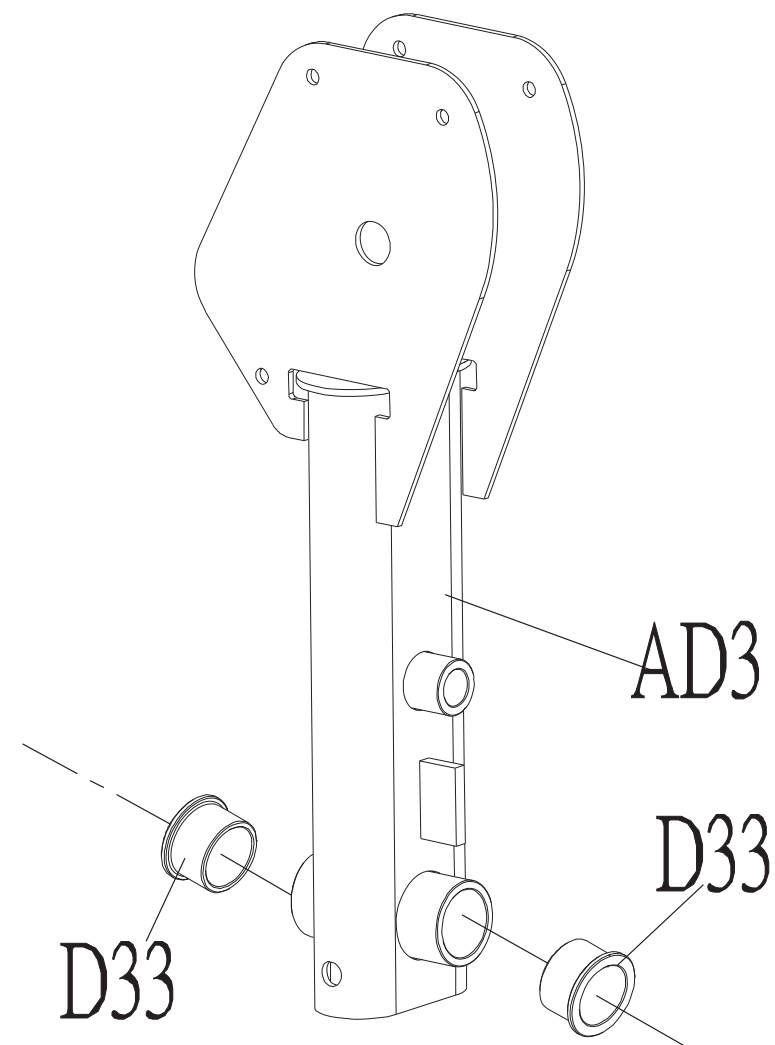
DRAWING NO	GM68-SF01		
PART NAME	USER FRAME		
PART NO	See Chart	REV	A
APPROVE	XuGang	DATE	2022.10.21

Part NO.	Color
1000228976	Iced Sliver
1000483403	Platinum
1000483404	Polarized Titanium
1000483405	Lace White
1000483406	Black Matte
1000483407	Black Glossy
1000483408	Pearl White
1000483409	Graphite Gray

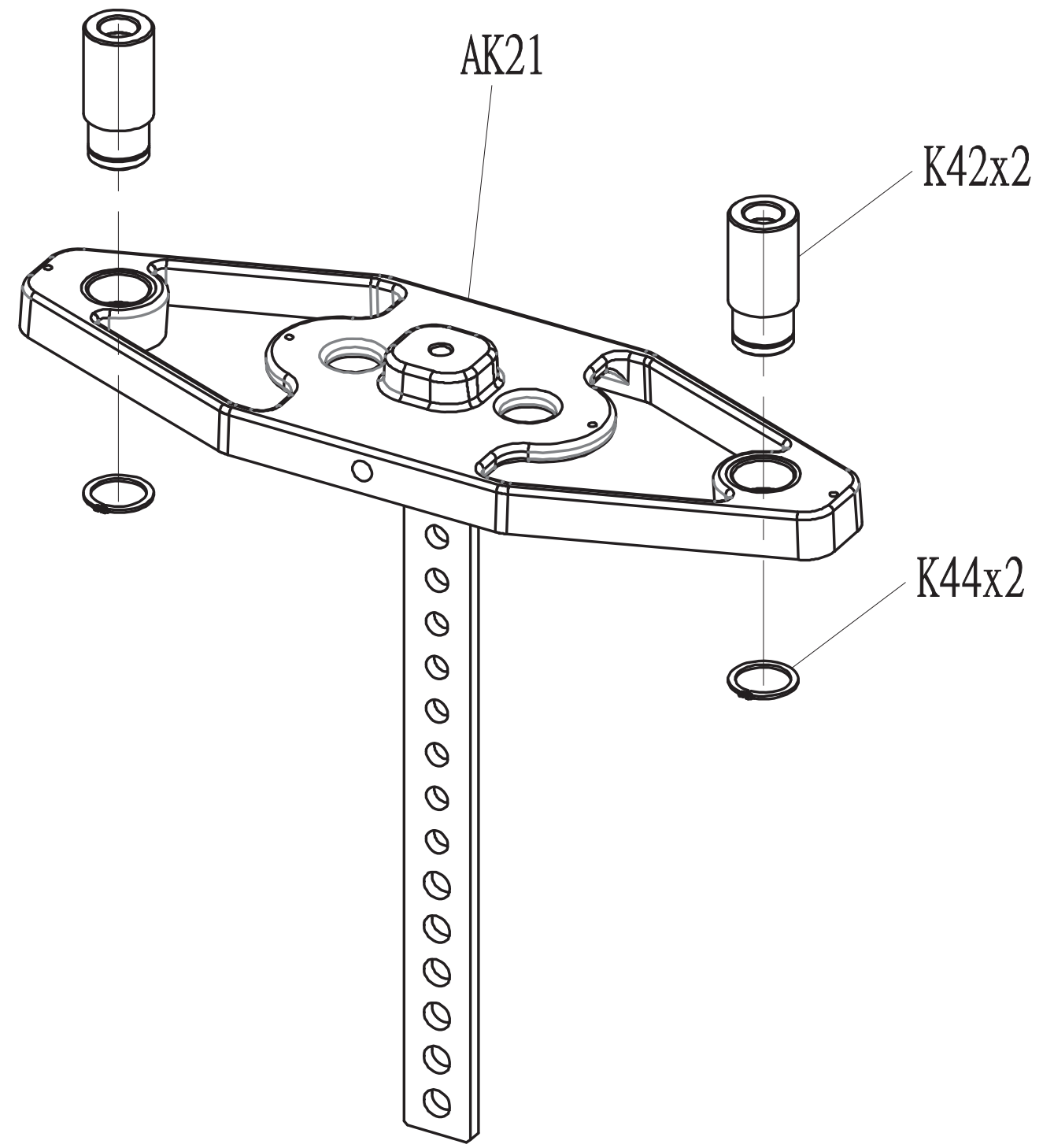


DRAWING NO	GM68-SF02		
PART NAME	SWING ARM		
PART NO	SEE CHART	REV	A
APPROVE	LIUSHUO	DATE	2018.12.13

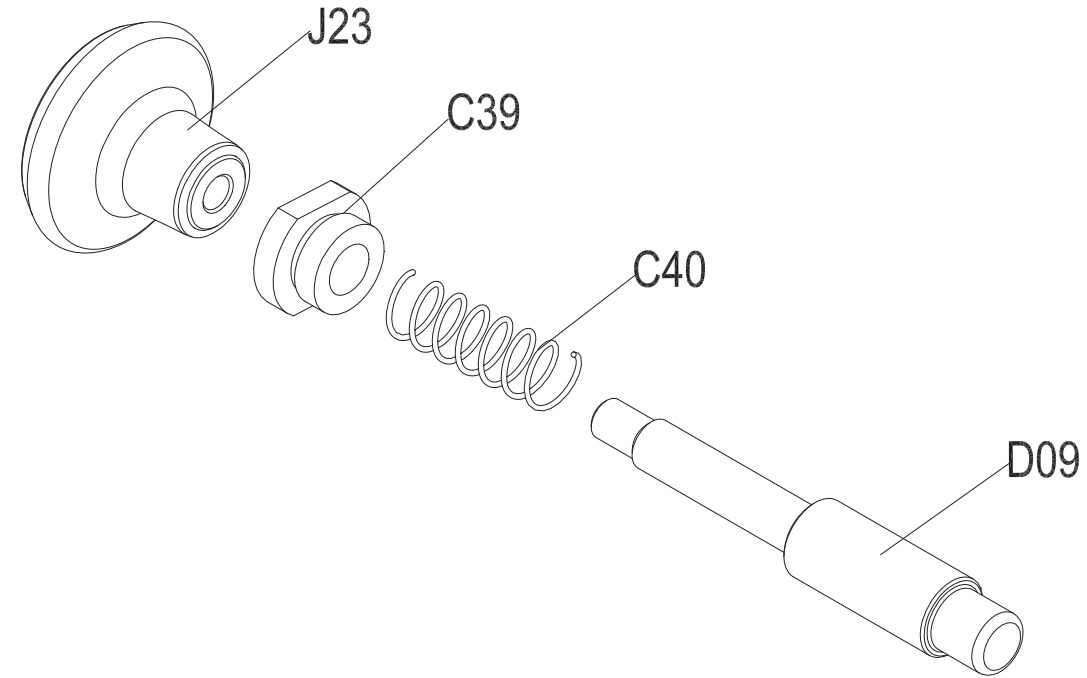
Part NO.	Color
1000228970	Iced Sliver
1000435154	Platinum
1000435158	Polarized Titanium
1000435159	Lace White
1000435160	Pearl White
1000435161	Mat Black
1000435162	Black Glossy



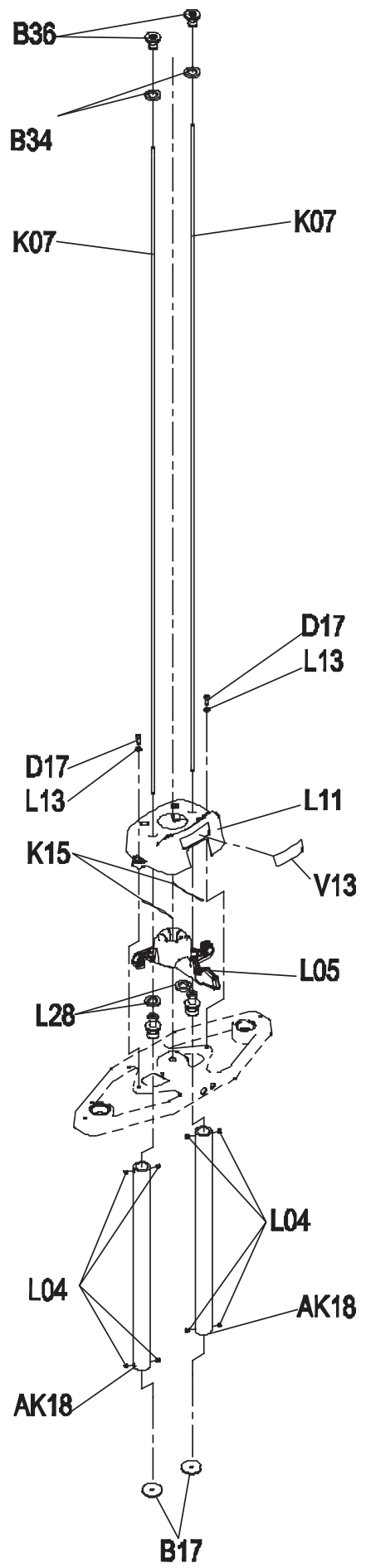
DRAWING NO	GM59-AK23		
PART NAME	Select the group		
PART NO	1000448863	REV	A
APPROVE	WangTao	DATE	2020.01.03



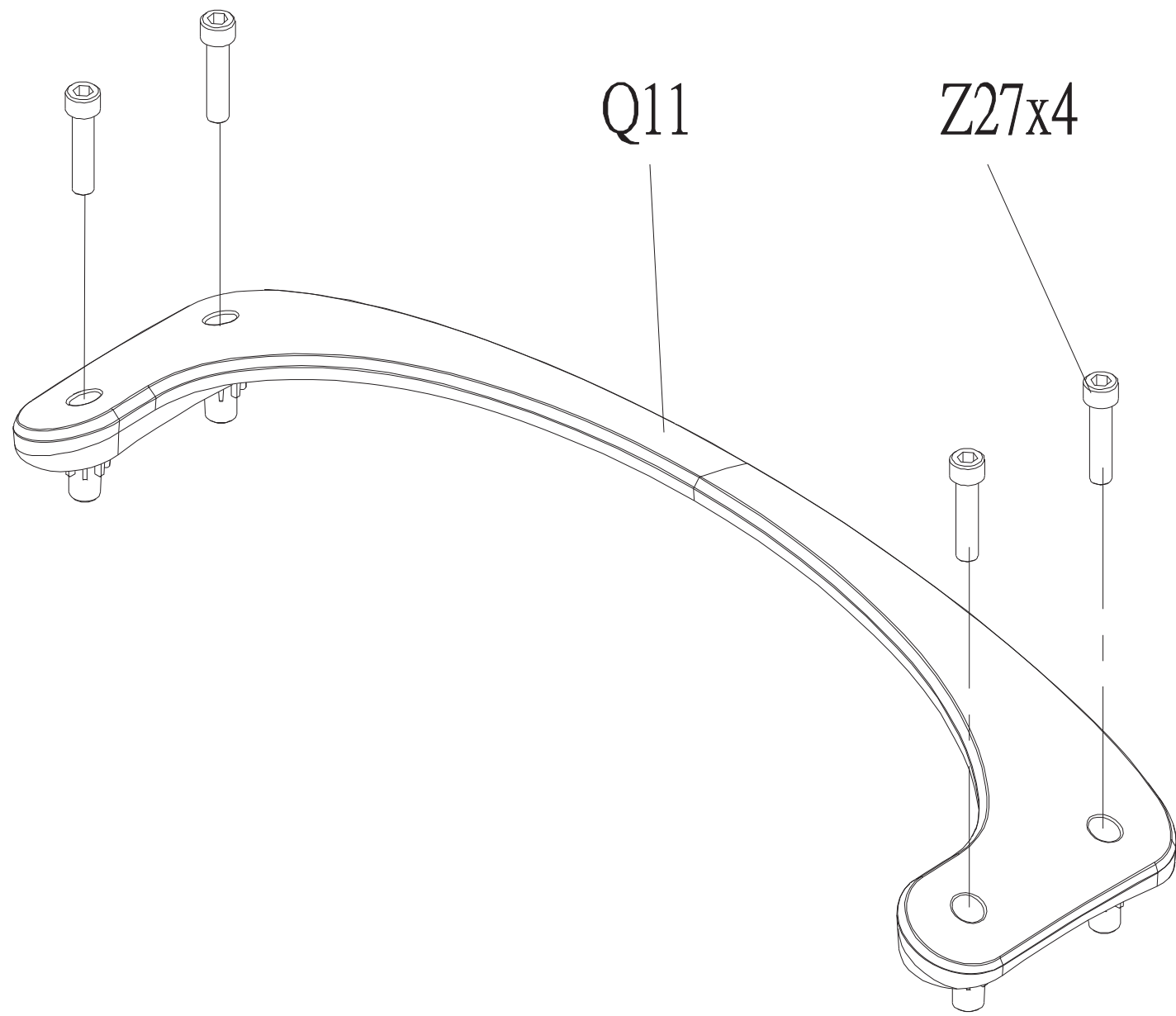
DRAWING NO			
PART NAME	Pull Pin		
PART NO	1000228975	REV	A
APPROVE	CINDY	DATE	2012114



DRAWING NO			
PART NAME	Assistant weight Plate Set		
PART NO	1000113110	REV	A
APPROVE	ANDY	DATE	20130125

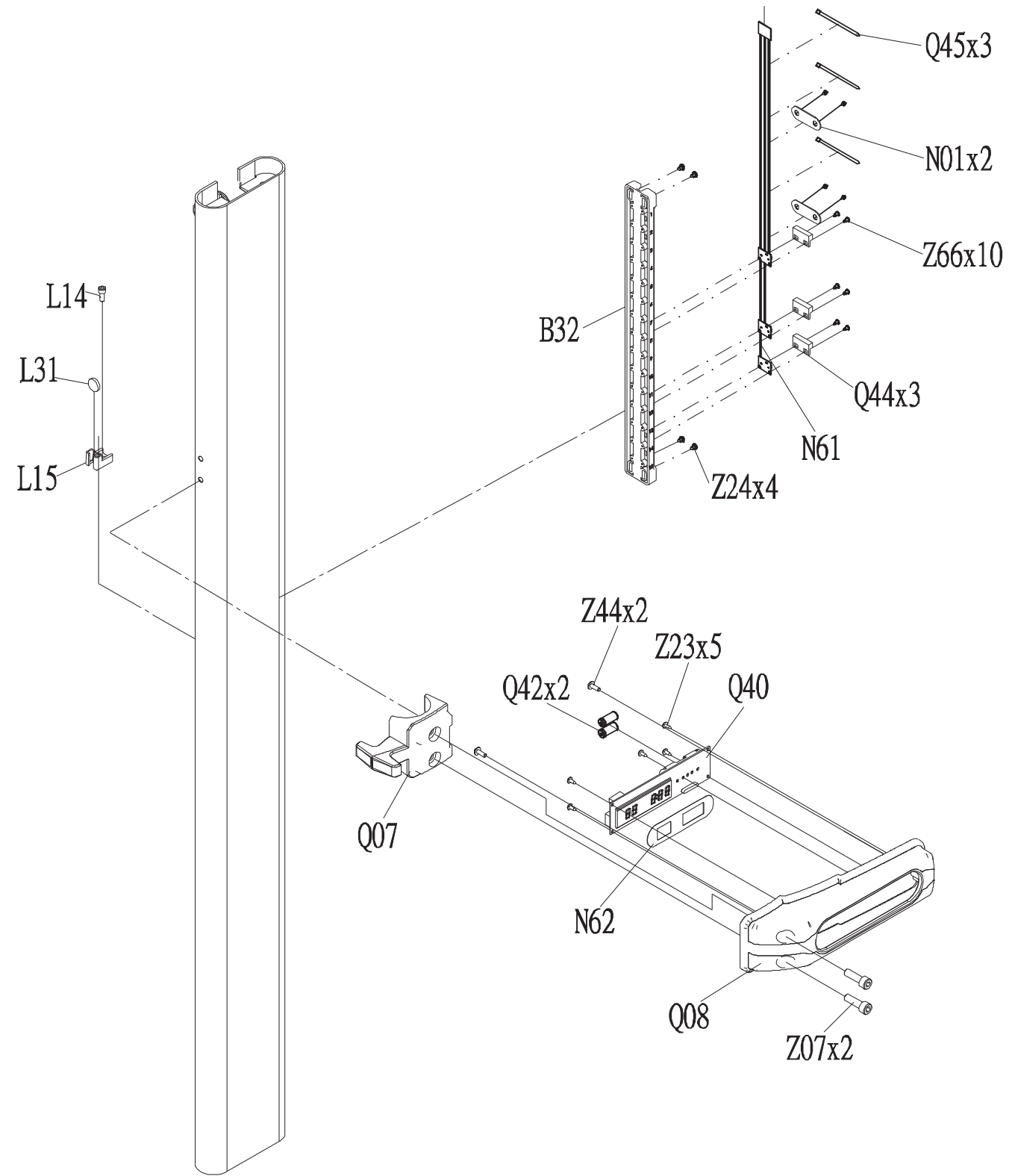


DRAWING NO	GM59-SF06		
PART NAME	Shield Set		
PART NO	See Chart	REV	A
APPROVE	Chenyng	DATE	20200121

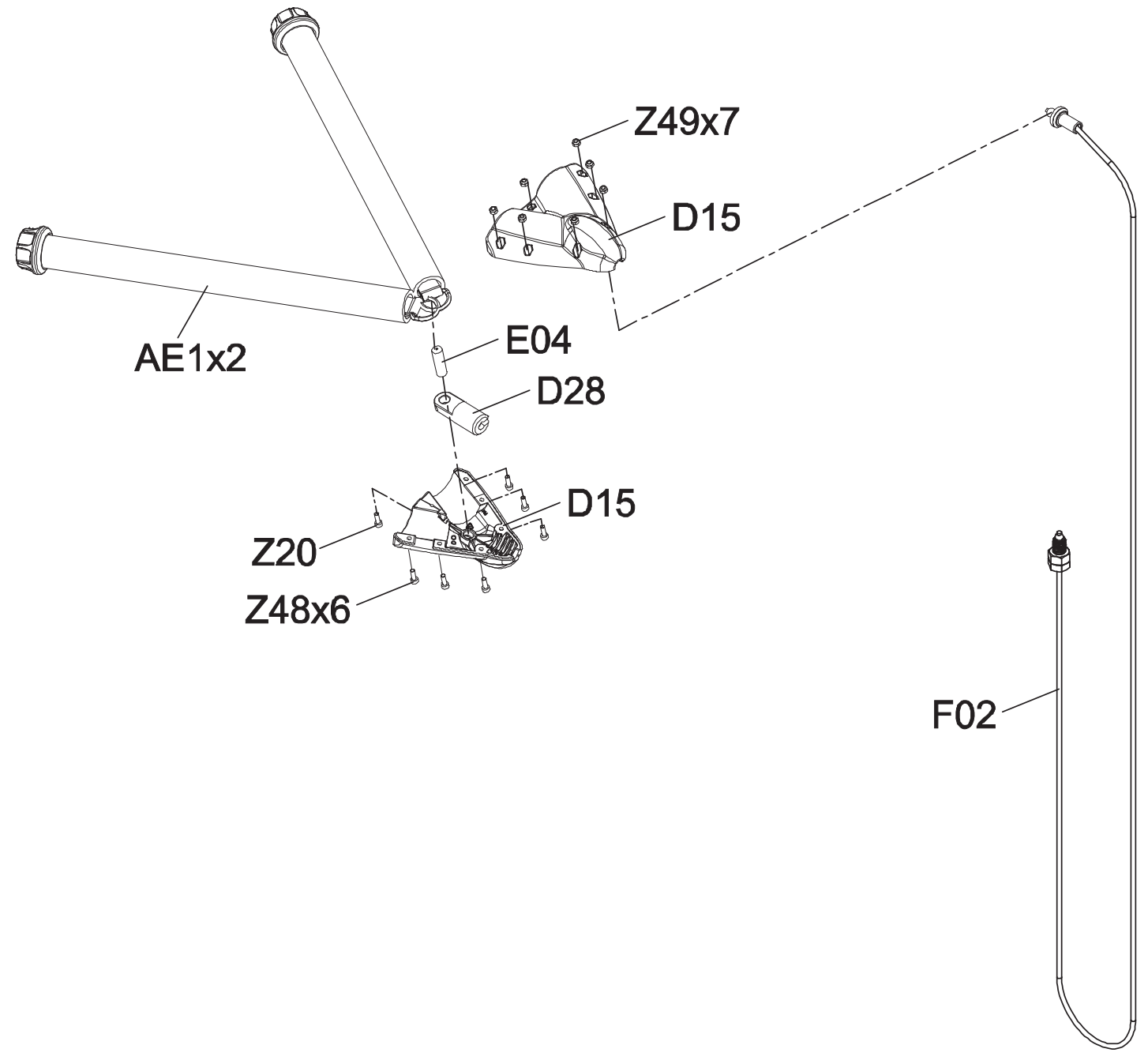


SAP NO.	Colour
1000220477	Bright Silver
1000437988	Black Matte
1000444719	Golden

DRAWING NO			
PART NAME	SENSE ORGAN SET		
PART NO	1000200250	REV	A
APPROVE	JOHN	DATE	20120711



DRAWING NO	GM68-SF11		
PART NAME	Handle set;Semi-Assy		
PART NO	1000451931	REV	A
APPROVE	Zero	DATE	10.21.2020



Bubble#	OEM Number	Description	Notes
1	1000228976	USER FRAME SET SA SERVICE GM68	
11	1000451931	Grip Arm Rest Set Semi-Assy GM68 SER	Updated design see service bulletin "Handle Set Update" for more information.
2	1000228970	PEDAL ARM SET SA SERVICE GM68	See service bulletin Swing Arm Update.
3	1000207217	Wps Superstratum GM59	
4	1000228975	PULL PIN SET SERVICE GM68	
5	1000113110	Assistant Weight Plate Set GM59-KM	Kit works with both light and heavy weight plate stacks.
6	1000220477	PREMIUM - SHIELD SET U GM59 -	
7	1000200250	PREMIUM - REP COUNTER	
8	1000218540	PREMIUM LEVEL SA GM68-KM	Contains all Premium Kit parts (Kits 6 & 7).
AB1	1000228969	FRAME SET SA SERVICE GM68	
AE1	1000489709	Handle set GM68	Please order qty. 2 of AE1 to upgrade to the new design. See service bulletin "Handle Set Update" for more information.
AG1	1000228971	DISASSEMBLY CONNECT SET U SERVICE	
AG2	1000228972	DISASSEMBLY CONNECT SET D SERVICE	
AK13	1000215667	Weight Plate axle sleeve - Extrawork,10LBS GM	10lb plate
AK14	1000215776	WPS set axle sleeve - Extrawork,15LBS GM	15lb plate
AK21	1000207218	Wps Set Superstratum Paint GM59	Kit works with both light and heavy weight plate stacks.
AZ2	1000227612	SUPPORT SEAT SET SA - - - -	
B06	1000303546	Plastic Pad Foot Pad - PP BL427	
B08	1000345425	Stopper Ring Guide Rod Chrome GM41	Used since 10/2014. Use with updated Z32: 1000104705
B13	1000112985	Elastomer Weight Plate GM59	
B14	004696-AB	Screw TH M8x1.25Px20L Hex Socket Chrom	
B14	004696-AB	Screw TH M8x1.25Px20L Hex Socket Chrom	
B16	1000108501	Bushing CON Rod Peadel Arm painting GM40	
B17	1000112984	Elastomer Assistant Weight Plate GM59	
B18	1000200252	RUBBER STOPPER - GM59	
B27	1000204728	FIXING PLATE ROPE WHEEL SPHC GM59-KM	
B28	004929-00	Nut Nylon M8x1.25P Chromed	

B29	005145-AC	Washer Flat 8.2x19.0x2.0T Chromed
B32	1000096026	Fixing Base Sensor ABS GM40
B34	1000215843	PLASTIC PLATE FRAME CR -
B35	1000230891	SCREW SET M10X1.5PX65L FLATHEADED HS C
B36	1000215844	Guide Rod fitting, Chromed
B37	1000221624	BLOCK - - PAINTING - - -
B45	1000230611	SUPPORT PLATE WHEEL SPHC CHM GM59
B76	1000233200	PLASTIC COVER NBR BL
C07	1000210866	AXLE, CENTRAL SWIVEL ARM ZINCPLATE
C12	1000229017	FIX SET SA PULLEY GM68
C28	1000454076	Pedal Tube Set Base Seat D painting Ice
C37	1000207249	PLASTIC COVER - ABS 40X80
C39	1000102675	Stopper Block Pull Pin GM43
C40	1000358938	Spring Compression 1.2x12.9x65Lx12N 65
C47	1000205448	PLASTIC COVER - - - GM59
D04	1000210867	ADJ PLATE ZINCPLAT SPHC 6.0T GM68-KM
D15	1000390772	Cover Grip NYLON 6 Black 6C 127.1x132.9
D21	1000221228	Sleeve Pedal Arm - 20# GM68
D25	1000218700	FIXING WHEEL PULLEY GM68
D28	1000221186	BLOCK GRIP CHM GM68
D33	1000098549	Bushing 30x25x20mm GM44
D41	1000422213	Protected Plate Hand L Stainless Steel 2
D42	1000422214	Protected Plate Hand Rt Stainless Steel
E04	1000210871	PILLAR PIN GM68-KM
F01	1000210913	STEEL ROPE FRAME Diam.4.8X3489.5L GM68-
F02	1000212100	STEEL ROPE USER FRAME ?X4.8X1744
F11	1000228974	TRANSMISSION SET SERVICE GM68
F15	1000212396	Fixing Plate Cable Head - 45# BED GM46
F40	073573	Pulley 115mm
F41	073572	Pulley 90mm

Used AFTER January 2023. See service bulletin "Foot Tube Change".

If the grip foam separates from the plastic cover, order upgraded handle set 1000451931. See service bulletin Hand Grip Improvement.

See service bulletin Swing Arm Update.
See service bulletin Swing Arm Update.

Includes strain relief (see service bulletin Hand Grip Improvement).

G03	1000215741	FIXED SET - RD PAINTING - - GM63
G07	1000228973	FIX SET SA GM68
G19	1000216939	Protective Adhesive
K06	1000113106	Tightwire Fix Pin 45# GM59
K07	1000113102	Guide Rod SUS304 Diam.6X1421.7 GM59
K15	1000204997	Steel Weight Plate Up 1080 Spring Steel
K17	1000202352	Cushion Guide Rod
K37	1000209625	GUIDE ROD 45 - WEGHT PLATE
K38	1000102915	Circlip E Type E-15 Cr Plate
K42	1000215659	BUSHING GUIDE ROD POM
K44	1000102912	Circlip External C Type S-30 BED
K47	004945-00	Nut Nylon M12x1.75P Chromed
L01	1000113111	Incremental Weight Plate - GM59-KM - Pai
L02	1000113107	Axis Sheath Leader GM59
L03	1000211166	PLASTIC BASE ADD WEIGHT PLATE POM GM5
L04	1000210485	SCREW SET M5X0.8PX6L FLAT POINT HS G8.8
L05	1000200264	GRIPE ABS+TPR GM59
L10	1000201802	PULL PIN SET WPS GM62 -
L11	1000207213	COVER INCREMENTAL WEIGHT ABS - - -
L13	070571	Washer Flat 5.2X10.0X1.5T CHM
L14	1000108801	Screw RND M5x0.8Px15L HS CHM BP G8.8
L15	1000209576	PLASTIC BASE MAGNET ABS FIXING
L28	1000224913	Cushion Aaw Nbr BI
L31	1000232864	PERMANENT MAGNET - 1500## ##
N61	1000229510	WIRE DISPLAY BOARD -- OKI HARBOR 2.5-
N62	1000096575	Overlay Manipulate GM40
Not Shown	ZMS4003253	Decal, QR, VS-S53 Abdominal
Q01	1000113113	Cover Up ABS GM59
Q02	1000113114	Cover Front Clarity ABS GM59
Q05	001405-A	End Cover 60
Q07	1000209577	PLASTIC BASE REP COUNTER - FIXING
Q09	1000209593	END CAP ACCENT
Q10	1000224767	Plastic Cover - - PP - - - -
Q12	1000209591	PLASTIC BAR - PVC - LABEL

Q13	1000303486	Clamp Cover -
Q42	ZMS4001255	Battery, AA for console
Q44	001679-00	Tie Strap Adhesive Nylon 66 HC-101 W
Q45	005811-00	Cable Tie Nylon Black 160L
Q49	009367-A	Pin Spring 11X70L(65MN) GM21
T06	086732	Foam For50.8 Foot Pad PL01
V01	1000223238	INSTRUCTIONAL LABE FRONT GM68-KM
V02	1000223239	INSTRUCTIONAL LABE REAR GM68-KM
V03	1000421782	Spec Label Weight Plate Black PC GM10
V04	1000409123	Direction Label Weight Plate 230lbs/140k
V05	1000215704	MARKING GM59-KM
V06	1000227618	decal guard
V10	1000232600	Warning Label - - - PC - -
V13	1000221799	DIRECTION LABEL AAW - PC -
Z01	1000431433	Protect Bushing Steel Rope PU BL/Black
Z02	1000232664	SCREW SH M6X1.0PX70L HS G12.9 CHM
Z04	020085-00	Screw Hex Socket Round M8x1.25Px20.0L Ad
Z06	1000231572	SCREW SH M10X1.5PX20L HS BP CHM
Z07	098577	SCREW HEX M8X1.25X35L
Z08	005144-AC	Washer Flat 10.2X35.0X2.0T Chromed
Z09	1000102584	Screw Hex M10x1.5Px20L Cr Plate G12.9
Z10	1000105259	Screw Round M10x1.5Px105L Hex Socket G12
Z11	1000104707	Screw Hex Socket Round M8x1.5Px125L Adh
Z16	1000204046	Washer Flat 6.4X14.0X3.0T Chromed
Z20	004443-00	SCREW SH M4X0.7PX12L HS
Z22	1000108803	Screw RND M5x0.8Px12L HS CHM BP G8.8
Z23	020196-A	Screw Phillip BH Tapped 3x6L Zn-BL
Z24	004870-00	Screw Plain Tapping Rail Lock 5x15L
Z27	020081-00	Screw SH M8X1.25PX60L HS G12.9
Z30	1000108805	Screw RND M8x1.25Px20L HS CHM BP G12.9
Z32	1000104705	Screw RND M6x1.0Px15L HS CHM BP G8.8
Z39	020465-AB	Washer Flat M10.2X25PX2.0T Chromed

See service bulletin Swing Arm Update.
See service bulletin Swing Arm Update.

Used since June 2020. See service bulletin "Hand Grip Improvement".

Used since 10/2014. Use with updated B08:

1000345425

Z40	0000086517	Screw Round Hex Socket M10x1.5Px25L
Z41	004518-00	Screw SH M10X1.5PX75L HS CHM
Z43	005047-00	Washer Flat 8.2x20x1.8T Black Zinc
Z44	1000104672	Screw BH M5x0.8Px10L HS CST CST CST CHM
Z45	020439-00	Washer Flat 6.4X14.0X1.0T Chromed
Z48	1000102859	Screw Hex Socket Round M4x0.7Px10L Cr Pl
Z49	1000098084	NUT NLK M4X0.7P ZINC
Z49	066570-00	Nut NLK M4X0.7P BZN
Z50	049288-AB	WASHER FLT Diam.10.5XDiam.20.0X2.0T CHM
Z51	004542-AC	Screw Hex Socket Round M10x1.5Px110L Adh
Z52	1000105174	Nut Nylon M10x1.5P G12.9 CHM
Z60	005130-00	Washer Flat 8.4x15.5x1.6T Chromed
Z61	1000108796	Screw RND M10x1.5Px55L HS CHM BP G12.9
Z62	1000097206	Screw SH M8X1.25PX25L HS CHM BP
Z63	1000104705	Screw RND M6x1.0Px15L HS CHM BP G8.8
Z64	004938-00	Nut Nylon M6X1.0P Chromed
Z65	020107-ZA	Screw Hex Socket Round M10x1.5Px50L
Z66	040816-A	Screw Phillip BH Tapped 3x8L
Z98	020098-AC	Screw Socket Head M10X1.5PX70L-20L Hex
Z99	008523-B	Washer Arc M10x28x10.5T SS41

5 or components separ Assistant Weight Plate Set GM59-KM

AC1	Part of Kit 1	BASE SET PAINTING GM68-KM
AC1	1000482194	base set painting Iced Sliver GM68 se
AC4	See Pad Matrix	Back Pad Black SA GM68-KM
AD3	Part of Kit 2	PEDAL ARM SET PA GM68-KM
AK21	Part of Kit 3	Wps Set Superstratum Paint GM59
B06	1000233199	Plastic Pad Foot Pad down PP Black GM59
D09	Part of Kit 4	AXLE 45 CHM PULL PIN 1 GM61
D28	1000451911	Fix Block Grip 42CrMo Chrome GM68 22x5
J23	Part of Kit 4	Pull Pin Handle TPP ORANGE GM59
J27	See Pad Matrix	Seat Pad BL GM59

Kit works with both light and heavy weight plate stacks.

Used BEFORE January 2023. See service bulletin "Foot Tube Change".

Used AFTER January 2023. See service bulletin "Foot Tube Change".

Order kit 11.

Not Shown	1000210919	Hardware Kit	
Q06	Part of Kit 7	PLASTIC PAD DISPLAY TPE	
Q11	Part of Kit 6	GRIPEND TOP COVER - - - ADC12	
Q14	Part of Kit 7	PLASTIC BASE COUNTER TPR GM59-KM	
Q40	Part of Kit 7	UCB Matrix GM40 H102S1.60	
Q48	Part of Kit 7	Fixing Base PC GM40	
Z48	1000451736	Screw Round Head M4x0.7Px16L Hex Socket	
B08	062949-B	Limiter Ring Guide Rod	Discontinued
B19	1000102593	Stopper Plate Pulley Painting GM40	Discontinued
B29	005040-AB	Washer Flat 8.4X15.5X1.6T	Discontinued
C40	005486-E	Spring SWP GM09	Discontinued
			Discontinued - If the grip foam separates from the plastic cover, order upgraded handle set 1000451931.
D15	1000210924	Cover Grip - NYLON 6 GM68-KM	See service bulletin Hand Grip Improvement.
G03	1000226805	FIX SET SA GM63 SERVE	Discontinued
L01	1000215719	BUSHING Q195 - AAW	Discontinued
Q13	1000209592	CLAMP COVER TINNEMAN D43806-014 - - -	Discontinued
V03	1000215718	SPEC LABEL 10 LB WEIGHT PLATE BLACK PC	10lb labels.
V04	1000215727	DIRECTION LABEL WEIGHTPLATE#15LBS PC	Discontinued - 15lb labels.
Z01	1000300541	Plug,mid,PVC,BLY10,Pedal Arm Grip,GM60,R	Discontinued - Old design.
Z32	004442-AB	Screw Hex Socket Round M4x0.7Px10L	Discontinued -